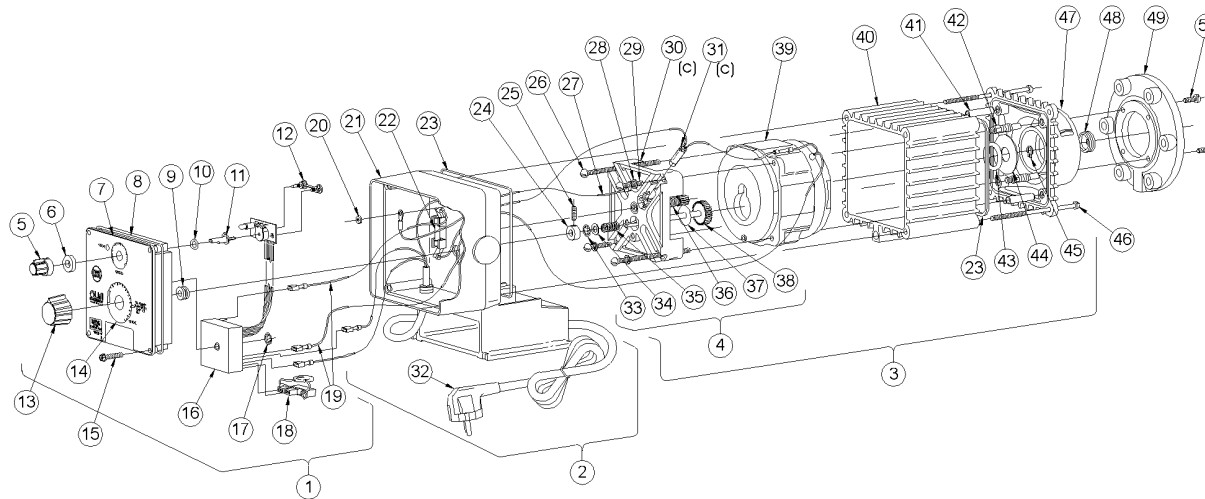


**POMPE LMI
LMI PUMP**

PR-C1

**ENSEMBLE MECANIQUE
MECHANICAL ASSEMBLY**



(c) inclus dans Rep. 4 / (c) not included with key no 4

PREVENTIVE MAINTENANCE

Rep.	Qt	Désignation / Description	C1xx
48	1	Joint de coulisseau (inclus dans le lot entretien du doseur) Seal (is included in liquid end maintenance kit)	10973

CORRECTIVE MAINTENANCE

Rep.	Qt	Désignation / Description	C101	C103 C105 C107	C111	C113 C115 C117	C121	C123 C125 C127	C131	C133 C135 C137	C141	C143 C145 C147
1	1	Ens. panneau de commande / Control panel assembly	36776	36777	36776	36777	36778	36779	36780	36781	36782	36783
3	1	Ens. EPU/Réglage de course / EPU w/stroke adjustment	32532CE	32533CE	32534CE	32535CE	32534CE	32535CE	32536CE	32537CE	32536CE	32537CE
4	1	Ens. réglage de course / stroke adjustment assembly	32251CE	32251CE	32251CE	32251CE	32251CE	32251CE	32251CE	32251CE	32251CE	32251CE
5	1	Bouton de cadence / Speed knob	30709	30709	30709	30709	30709	30709	30709	30709	30709	30709
13	1	Bouton de course / Stroke knob	31891	31891	31891	31891	31891	31891	31891	31891	31891	31891
16	1	Pulser	36255	36255	36255	36255	36255	36255	36255	36255	36255	36255
18	1	Ens. Condensateur – Varistor / MOV/Cap assembly	35243	4360372000	35243	4360372000	35243	4360372000	35243	4360372000	35243	4360372000
39	1	EPU	32158CE	32159CE	32158CE	32159CE	32158CE	32159CE	32158CE	32159CE	32158CE	32159CE

Rep.	Qt	Désignation / Description	C1x1	C1x3	C1x5	C1x7	C1x8
2	1	Ensemble carter / Housing assembly	32407CE	32409CE	32410CE	32412CE	
32	1	Cable d'alimentation / Power cord assembly	29033CE	29042CE	29044CE	29048CE	



PIECES DE RECHANGE / SPARE PARTS

Date : 01/2006

REV. : C