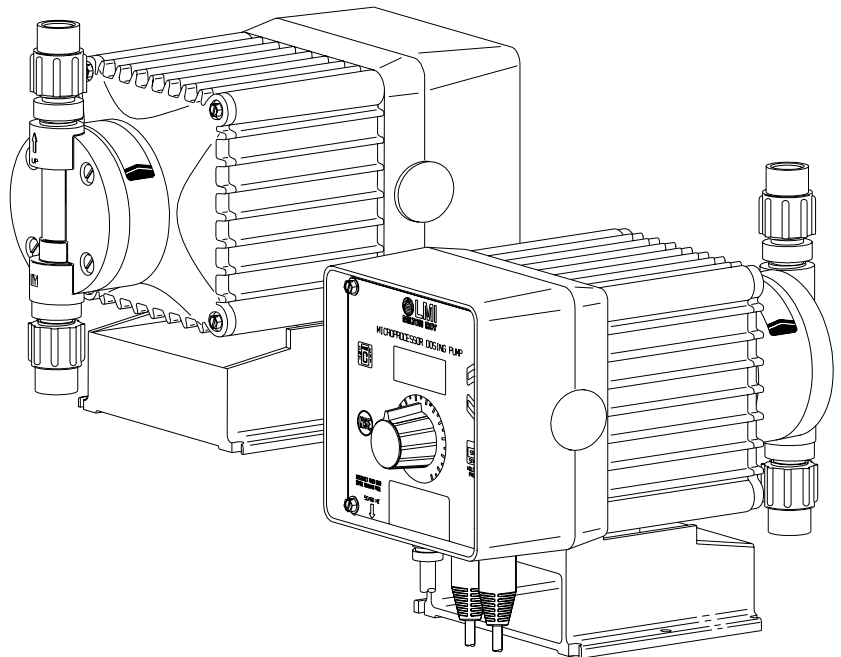


PROGRAMMABLE ELECTRONIC DOSING PUMP

LMI SERIES B9 / C9



B9 / C9 Series Programmable Electronic dosing pumps feature highly accurate Microprocessor Control, employing a Clear Liquid Crystal Display and a 4-Key Tactile Keypad.



B9 Series

- Maximum output: 26 l/h
- Maximum pressure: 10.3 bar

C9 Series

- Maximum output: 76 l/h
- Maximum pressure: 20.7 bar

Main technical Specifications

- Maximum temperature of pumped chemical: 50 °C
- Self priming height: 1.5 m
- Accuracy: $\pm 2\%$ of adjusted output
- Adjustable stroke length: 0 to 100%
Recommended minimum: 10%
- **Adjustable pressure capacity**
An LMI exclusive reducing pump noise, shock, vibration, and wear, prolonging pump life.
- **Manual/External mode select**
The manual stroke rate is adjustable from 1 stroke per hour to 100 strokes per minute. Stroke length adjustment from 10 to 100%.
On-Off external trigger control.
- **Externally triggerable**
By voltage free switch, transistor, opto-coupler or hall effect sensor.

- Divide incoming pulses from 1 to 999.
Multiply incoming pulses 1 to 999.
Batch accumulate to 999 strokes.
- **Slope adjustable/response**
Programmable 0 to 20 mA or 4 to 20 mA control signals. Direct or inverse response selectable.
- **Flow monitoring and alarm programmable**
In conjunction with LMI's Digi-Pulse Flow Monitor. Adjustable missing pulse detection to 255 pulses.

Simple Rugged Construction

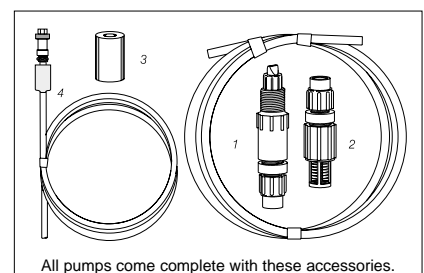
- Thick wall glass fiber or carbon fiber reinforced thermoplastic construction plus integrated metal-plastic structural and magnetic components result in vibration and shock resistance not ordinarily found in competitive products.
- Strong automotive type wire and electrical connectors add to its construction strength.

Totally Enclosed Corrosion Resistant IP65

- O-Ring sealed corrosion resistant enclosure of glass fiber reinforced polypropylene protects the pump from harsh chemicals and tough environments.

Complete with Accessories

- LMI B9 / C9 dosing pumps come complete with:
 1. injection check valve,
 2. foot valve,
 3. ceramic weight,
 4. external pulse control cable.
- Most models are also available with factory tubing.



Specifications

Model	OUTPUT (l/h) max.	PRESSURE (bar) max.	LIQUIFRAM size	STROKE CAPACITY (ml)		FREQUENCY (str./h)		LIQUID END MATERIAL							TUBING CONNECTIONS	
				min.	max.	min.	max.	PVC	PVDF/Polyp.	PVDF/PTFE	Acrylic	316 SS. ⁽¹⁾	High Visc. ⁽²⁾	Inch	Metric	
B91*	6.0	10.3	0.9	0.10	1.00	1	6000	398XY	392XY	393XY	390XY	297	85HV	.375"OD	6x8 mm	
B92*	9.5	6.9	0.9	0.16	1.58	1	6000	398XY	392XY	393XY	390XY	297	85HV	.375"OD	6x8 mm	
B93*	17	3.4	1.8	0.28	2.83	1	6000	368XY	362XY	363XY	360XY	277	75HV	.375"OD	6x8 mm	
B94*	26	2.0	3.0	0.44	4.42	1	6000	318XY	312XY	313XY	310XY	27	25HV	.500"OD	9x12 mm	
C90*	4.9	20.7	0.9	0.08	0.81	1	6000	398XP	392XP	393XP	—	297	—	1/4NPTm	—	
C91*	9.5	10.3	1.8	0.16	1.58	1	6000	368XY	362XY	363XY	360XY	277	75HV	.375"OD	6x8 mm	
C92*	15	6.9	1.8	0.25	2.52	1	6000	368XY	362XY	363XY	360XY	277	75HV	.375"OD	6x8 mm	
C93*	30.4	4.1	3.0	0.51	5.05	1	6000	318XY	312XY	313XY	310XY	27	25HV	.500"OD	9x12 mm	
C94*	76	1.7	6.0	1.26	12.60	1	6000	35T/M ⁽³⁾	—	32/M	30/M	37	—	.500"OD	9x12 mm	

* When ordering, specify the voltage code by using one of the following numbers:

- 1 = 115 V
- 3 = 230 V Din Plug
- 5 = 230 V UK Plug
- 7 = 230 V CH Plug

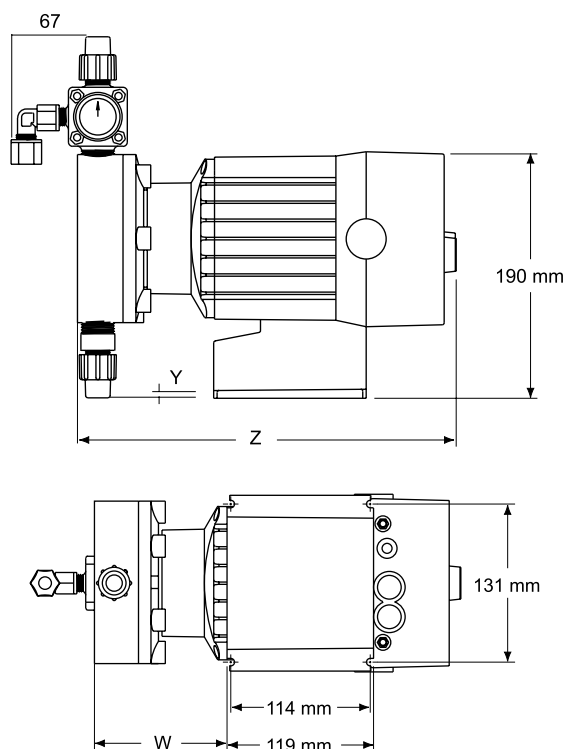
⁽¹⁾ 1/4" NPTm connection - 1/2" NPTm for 27 and 37

⁽²⁾ .500" OD / .938" OD or 9 x 12 / 15 x 23

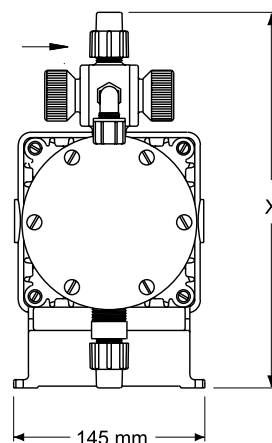
⁽³⁾ PP/PTFE

X	Refer to Liquid end chart for complete option code
Y	Inch tubing
I	Metric tubing
M	1/4" NPTm
P	
B	Bleed 4 Function valve included
N	No Function valve
S	4 Function valve included
T	3 Function valve included

Dimensions



4 Function Valve Option



	W	X	Y	Z
Pump without function valve	82.5	216	16.5	272
Pump with function valve	115.5	246	16.5	305
Pump with large head (C94x)	107	244	0	295
High viscosity pump	90	241	16.5	279
Packing: B = 325 x 235 x 290 mm	Gross Weight: B = 6.9 kg			
C = 380 x 235 x 290 mm	C = 8.7 kg			



FRANCE - DOSAPRO MILTON ROY S.A.
 10, Grande Rue - 27360 Pont Saint Pierre
 Tél. : +33 (0)2 32 68 30 00 - Fax : +33 (0)2 32 68 30 93
 www.dosapro.com - e-mail : contact@dosapro.com

ESPAÑA - DOSAPRO MILTON ROY IBERICA
 C/Embajadores, 100 - 28012 MADRID
 Tél. : +34 91 517 80 00 - Fax : +34 91 517 52 38
 www.dosapro.es - e-mail : madrid@dosapro.es

UNITED STATES - LIQUID METRONICS, INC
 8 Post Office Square - Acton, Massachusetts 01720
 Tél. : 1 (978) 263 9800 - Fax : 1 (978) 264 9172
 www.lmpumps.com

INTERNATIONAL SALES DEPARTMENT and PROJECTS DEPARTMENT
 Tél. : +33 (0)2 32 68 30 12 - Fax : +33 (0)2 32 68 30 91
 10, Grande Rue - 27360 Pont Saint Pierre (France)

SPARE PARTS DEPARTMENT/PIÈCES DE RECHANGE
 Tél. : +33 (0)2 32 68 30 01 - Fax : +33 (0)2 32 68 30 92
 10, Grande Rue - 27360 Pont-Saint-Pierre (France)

INTERNATIONAL TECHNICAL ASSISTANCE/ASSISTANCE TECHNIQUE
 Tél. : +33 (0)2 32 68 30 02 - Fax : +33 (0)2 32 68 30 96
 10, Grande Rue - 27360 Pont-Saint-Pierre (France)

DOSAPRO MILTON ROY EN FRANCE :
 Angers, Bordeaux, Lille, Lyon, Nancy, Paris, Rouen

